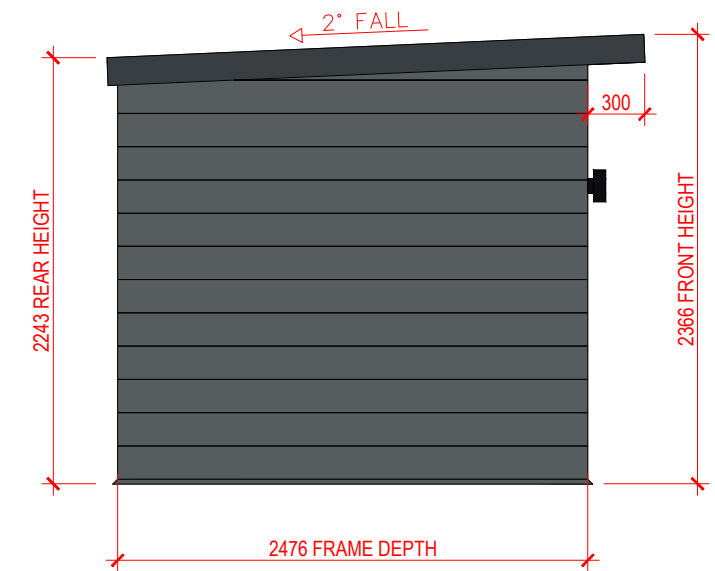


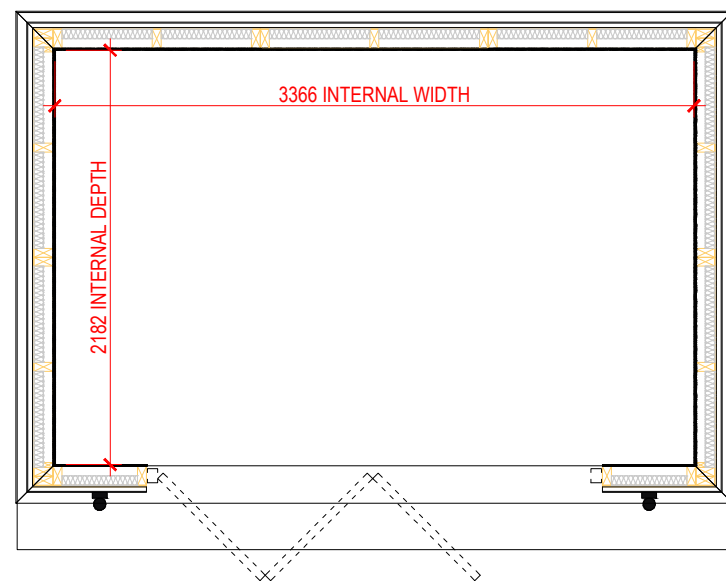
1 GARDEN ROOM FRONT ELEVATION
Scale: 1:40



2 GARDEN ROOM REAR ELEVATION
Scale: 1:40



3 GARDEN ROOM SIDE ELEVATION
Scale: 1:40



4 GARDEN ROOM FLOOR PLAN
Scale: 1:40

GARDEN ROOM SPECIFICATION

CONSTRUCTED FROM THE FOLLOWING;

FRAME

PRE-FABRICATED 47X100MM HIGH PRESSURE TREATED C16 CONSTRUCTION TIMBER SIP'S. INSULATED WITH KINGSPAN THERMAWALL TW55 PIR 50MM INSULATION BOARD.

CLOAKED EXTERNALLY WITH 8MM ENGINEERED OSB BOARD, WRAPPED IN A WATERPROOF BREATHABLE MEMBRANE. SINGLE BATTENED WITH 25X50MM TREATED TIMBER, TO ALLOW FOR EITHER VERTICAL OR HORIZONTAL COMPOSITE CLADDING. (VARIOUS COLOURS & FINISHES AVAILABLE)

CLOAKED INTERNALLY WITH DAMP-PROOF SHEETING TO ACT AS VAPOUR BARRIER. *INTERNAL PLASTERBOARD FINISHES NOT SUPPLIED AS STANDARD. 8MM PLASTERBOARD SHOWN INDICATIVELY.

ROOF

47X147 HIGH PRESSURE TREATED C16 CONSTRUCTION TIMBER JOISTS. INSULATED WITH KINGSPAN THERMAWALL TW55 PIR 100MM INSULATION BOARD.

CLOAKED EXTERNALLY WITH 18MM STRUCTURAL OSB3 TG4 ROOFING BOARDS, WRAPPED WITH WATERPROOF EPDM MEMBRANE.

CLOAKED INTERNALLY WITH DAMP-PROOF SHEETING TO ACT AS VAPOUR BARRIER. *INTERNAL PLASTERBOARD FINISHES NOT SUPPLIED AS STANDARD. 8MM PLASTERBOARD SHOWN INDICATIVELY.

GLAZING

ALUMINIUM SMARTS VISOFOLD 1000, THERMALLY BROKEN BI-FOLDING DOOR. *STANDARD AVAILABLE COLOURS ARE GREY, BLACK AND WHITE.

28MM HIGH PERFORMANCE GLASS.

HIGH SPEC COLOR CODED IRONMONGERY.

REV	DATE	REVISION
P01	00/00/00	APPROVAL

PROJECT NO.	TEST
CLIENT	TEST
PROJECT	TEST
SITE ADDRESS	TEST
DRAWING TITLE	GENERAL ARRANGEMENT FINISHED LAYOUT TYPE 1A
DRAWN BY	STAINSBY GARDEN ROOMS
DESIGNER	TEST
DATE	--/--/--
DRAWING NO.	EXAMPLE-1001